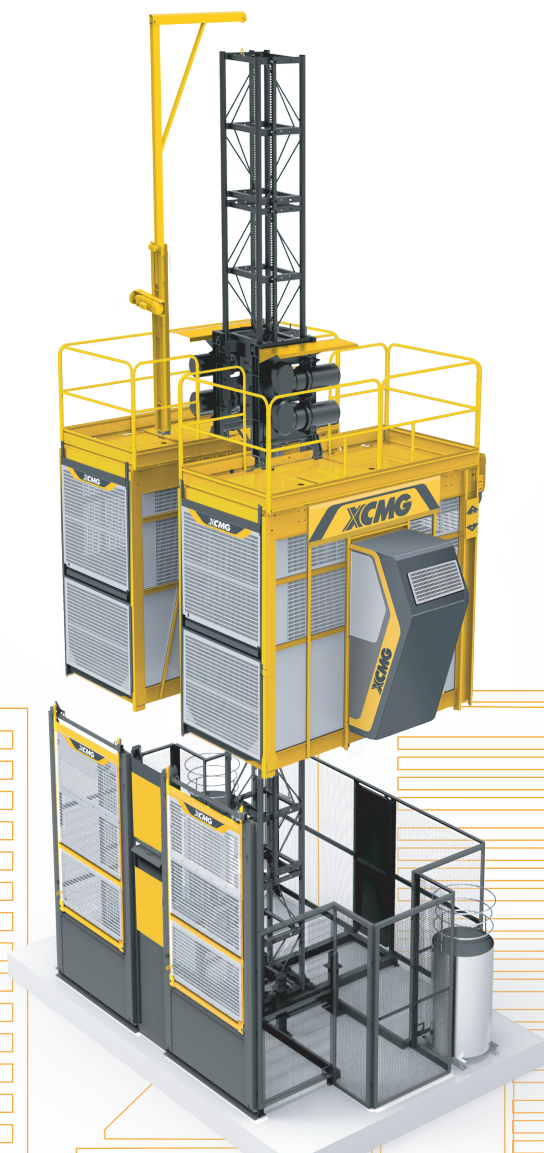


XCMG
CONSTRUCTION HOIST 施工升降机
SC200/200FS1



升级款变频施工升降机

Upgrade frequency convertible hoist

- 整机工业化设计，广泛采用冲孔铝板，外观新颖，高端大气；
 - 吊笼、底笼等主要结构件轻量化设计，采用高强度钢，强度更高，安全性更好；
 - 底笼采用快速安拆技术，单人安拆，方便快捷；
 - 结构件模块化设计，通用性高，维保便捷；
 - 传动机构采用齿轮减速机，传动效率高，绿色节能；
 - 电气采用变频控制，操作简单，运行平稳，安全可靠。
- The industrial design of the whole machine, is widely used perforated aluminum plates, with novel, high-end and elegant appearance;
 - The main structural parts such as the elevator cage and the bottom cage applies lightweight design, using high-strength steel, which has higher strength and better safety;
 - The bottom cage applies quick installation and disassembly technology. Only one person can install and disassemble, which is very convenient and easy;
 - The structural parts apply modular design, which is versatile and convenient to maintain;
 - The transmission mechanism uses a gear reducer, which has high transmission efficiency and is green and energy saving;
 - The frequency conversion control is used for the electrical devices, with simple control and stable operation, which is safe and reliable.



吊笼内空尺寸 Inside size of the cage

长L 3200 mm × 宽W 1500 mm × 高H 2500 mm



技术参数表 Technical data

产品型号 Model	额定载重量 (Kg) Rated load	提升速度 (m/min) Lifting speed	标配高度 (m) Height	附着间距 (m) Attachmentspace	电机功率 (KW) Motor power	变频器功率 (KW) Inverter power	防坠器型号 Safety device
双笼 Twin cage SC200/200FS1	2×2000	0~50	60	9	2×2×11/18.5	2×37	SAJ40-1.2

备注：

- 标准节规格为650×650×1508mm；
- 标准配置：电缆卷筒、调节范围为3-3.6m附墙、喷粉标准节、自动平层、故障自诊断、电动吊杆、楼层呼叫器等。
- 可选配置：人脸识别、滑触线、热浸锌标准节。
- 吊笼尺寸、附墙调节范围可非标定制。

Remark：

- The specification of mast is 650×650×1508mm;
- Standard Configuration: Cable drum, anchorage frame adjustment range is 3-3.6m, powder spraying type mast sections, automatic leveling, fault self-diagnosis, electric boom, floor pagers, etc.
- Optional Configuration: Face recognition, Sliding contact line, hot-dip galvanized type mast sections.
- The size of the lifting cage and the adjustment range of the attached wall can be customized.

★ 如需其他配置，请与我们联系。 For other configuration, consult us please.

此样本所列技术参数不受法律约束，具体请详见相应产品说明书。

These brochure of specifications and data are not legally binding,specific instructions please based on our produt manuals.