



STANDARD EQUIPMENT FOR BASE MACHINE 主机配置标准

- Air cleaner, double element with dust indicator
空气滤清器, 带灰尘指示器的双元件
- Alternator, 35 ampere/24V
硅整流发电机, 35A/ 24V
- Batteries, 195 Ah/2 x 12V
电池, 195Ah / 2 x 12V
- Belt drive cooling fan
皮带传动冷却风扇
- Decelerator pedal 减速度踏板
- Engine hood 发动机罩
- Engine side covers, vertically opened
发动机侧护罩, 平开
- Lighting system, (includes 4 front, 2 rear)
照明系统 (包括前4个, 后2个)
- Manuel operation, hydraulic boost
手动操纵, 液压助力
- Split muffler 分体式消声器
- Radiator guard door, flat
平坦的散热器防护门
- Radiator reserve tank 散热器储罐
- Rear cover后盖
- ROPS mounting brackets
驾驶室防翻滚系统安装支架
- Starting motor, 11kW/24V
启动电机, 11 kW / 24V
- Seat, adjustable 可调节座椅
- Track roller guard, end sections
滚轮保护装置, 端部
- Track shoe assembly
履带板总成
—Heavy-Duty sealed and lubricated track
重载密封和润滑履带
- 510mm single grouser shoe
单条履带板宽度510毫米
- Underguards, oil pan and transmission
保护罩, 油底壳和传动装置
- Wet, multi-piece, butterfly spring compression, hydraulically separated steering clutch
湿式、多片、蝶形弹簧压紧、液压分离转向离合器

STEEL CAB 钢结构驾驶室

- Additional weight 285 kg 630 lb 附加重量285kg 630磅
- All-weather, enclosed steel structure A/C cab适应各种天气的钢结构空调驾驶室
- Dimensions: 尺寸
—Length: 1562mm 长度: 1562毫米
—Width: 1464 mm 宽度: 1464毫米
—Height: 1648 mm 高度: 1648毫米
—Height from floor to ceiling: 1548mm 车顶天花板离地高度: 1548毫米

CANOPY FOR CAB 驾驶室防翻滚系统遮篷

- Additional weight 1010kg 附加重量1010千克
- Meets ISO 3471, SAE J/ISO 3471 ROPS standards, and ISO 3449 FOPS standard.
符合ISO3471标准、SAE J/ISO 3471 ROPS标准和ISO3449、FOPS标准
- Roof dimensions: 车顶尺寸
—Length: 1270mm 长度: 1270毫米
—Width: 1180 mm 宽度: 1180毫米
—Height from operator compartment floor: 1652mm 操作间地板至车顶高度: 1652mm



TRIPLE-SHANK RIPPER 三齿松土器

- Additional weight(including the hydraulic control): 1620kg
附加重量 (包括液压控制单元): 1620千克
- Beam length: 2260 mm 横梁长度: 2260 毫米
- Maximum digging depth: 572mm 最大挖掘深度572毫米
- Maximum lift above ground: 702mm 最大离地举升高度: 702毫米

SHOES 履带板

| Shoe width 履带板宽度 | Total ground contact area 接地面积 |
|-------------------------------------|--------------------------------|
| 560 mm single-grouser shoe 单凸履带板 | 24786 cm ² |



TY160 推土机



HORSEPOWER 马力

Gross 马力净值: 131kw 160HP @1850rpm

Net 马力毛值: 135kw 160HP @1850rpm

OPERATING WEIGHT 操作质量17100kg



Web: machmall.com
Tel: +86-516 8773 9797
E: machmall@xcmg.com

CRAWLER DOZER

WALK-AROUND 绕行

Weichai diesel engine WD10G178E25 provides an output of **131 kW** 160HP with excellent productivity.

潍柴WD10G178E25柴油发动机的输出功率为131 Kw160 HP，生产效率极高。

Vertically opened engine side cover for easy and safer servicing.

平开发动机侧盖使维修更简单更安全

High capacity **Straight tilt dozer** combined the highest power in its class with outstanding productivity.

大容量直推式推土机将同类产品中的最高功率与出色的生产力相结合

Left hand **joystick** controls all tractor motion. Right hand joystick controls all the movements of blade and ripper.

左手操纵杆控制推土机的所有动作。右手操纵杆控制推土铲及松土器所有动作。

Electronic monitoring system prevents minor problems from developing into major ones.

电子监控系统防止小问题扩大化

Wet belt hydraulic assist brake for more stable braking performance.

湿式、带式液压助力制动器，制动性能更稳定。

Bolt-on segmented sprocket teeth

螺栓固定的分段链轮齿便于现场更换

HORSEPOWER 马力
Gross 马力净值:
 131kw 160HP @1850rpm
Net 马力毛值:
 135kw 160HP @1850rpm
OPERATING WEIGHT 操作质量:
 17100kg
BLADE CAPACITY 推土铲容量
 Straight Tilt Doze
 直倾式推土铲: 3.9m³



Photo may include optional equipment.

OPERATOR'S COMPARTMENT 操作室

All steering, direction, and speed changes are made by three joysticks on the left-hand. If the operator wants to move the machine the front left, he simply pulls the first left joystick back. If the operator wants to turn the machine to the front right, he simply pulls the third left joystick back.

所有转向，方向和速度变化都由左手的三个操纵杆控制。如果操作员想要将机器向前左转向，他只需将左边第一个操纵杆向后拉动即可。如果操作员想要将机器向前右转向，他只需将左边第三个操纵杆向后拉动即可。

Low-noise design

低噪音设计

For smoother riding comfort, power train components and hydraulic control valves are mounted to the frame with rubber pads to soften vibration and shut out noise. The walk-through operator compartment is uncluttered for smooth entry and exit. An adjustable seat with backrest is standard equipment.

为了乘坐的舒适性，动力传动系部件和液压控制阀通过橡胶垫安装到车架上，以减轻振动并隔绝噪音。操作室整齐划一，便于进出。标准配备带靠背的可调座椅。



Three-stage height adjustable armrests

三段高度可调的扶手

Three-stage height adjustable arm rests and relocated fuel control lever provide comfortable operation and increased leg space.

三段高度可调的扶手和重新定位的燃油控制杆提供舒适的操作和增加的腿部空间。

Electronic monitoring system

电子监控系统

An electronic monitoring system prevents minor problems from developing into major ones. All meters and gauges are controlled by a microcomputer, which provides a wide indication range for an easier, more precise reading.

电子监控系统可以防止小问题发展成为主要问题。所有仪表均采用国外知名品牌VDO监控系统，以便读取更加简单，更精确。



Steering functions and speed control

转向功能及速度操纵

Realize the turning to left and to right
可实现车辆向左和向右转

Realize the turning forward and reverse, from first, to second, to third shifting
可实现车辆前进和倒退，一档到二档到三档

Blade functions (right hand)

推土铲功能（右手）

Straight tilt dozer
直推式推土机

Front joystick controls lift and tilt of blade
前操纵杆控制铲刀升降、倾斜

Rear joystick controls lift of ripper
后操纵杆控制松土器升降

RELIABILITY FEATURES 可靠性能

Field-proven engine

经现场验证的发动机

Powerful WD10G178E25 diesel engines provides a massive output of 131 kW 160 HP. The engine power is transmitted smoothly to the final drives via a high-efficiency torque

功能强大的WD10G178E25柴油发动机可提供131千瓦160马力的最大功率输出。发动机动力通过高效率的扭矩平稳地传递到最终传动

Sturdy design

坚固的设计

Because fewer components mean greater reliability, we've designed a simple hull frame made of a thick, single plate. Track frames have a large-section construction for maximum rigidity. Even the box-section construction of the blade back beam is reinforced, all with durability in mind.

因为更少的组件意味着更高的可靠性，我们设计了一个由厚厚的单板制成的简单船体框架。履带框架采用大截面结构，可实现最大刚性。即使是刀背梁的箱形截面结构也得到了加强，所有这些都考虑到耐久性。

履带框架采用大截面结构，可实现最大刚性。即使是刀背梁的箱形截面结构也得到了加强，所有这些都考虑到耐久性。

Flat bottom frame

平底框架

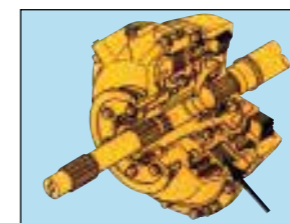
A flat bottom frame, the monocoque track frames and forward-mounted pivot shafts provide good maneuverability in muddy terrain by preventing mud from building up under the frame.

平底框架，硬壳式履带架和上部安装的枢轴通过防止泥浆在框架下堆积而在泥泞的地形中提供良好的可操作性。

EASY MAINTENANCE 易于维护

Planetary gear gearbox, more reliable to use.

行星齿轮变速箱，使用更可靠。



Oil pressure check ports

油压检查端口

Oil pressure check ports for the power train are centralized on the right hand side of the operator

动力传动系的油压检查端口集中在操作员的右侧踏板下



Front radiator door

前散热器防护门

Openable and closable radiator mask facilitates radiator cleaning.

可打开和可关闭的散热器面罩有助于清洁散热器。



SPECIFICATIONS 规格

ENGINE 发动机

Model 型号..... 潍柴 WD10G178E25
 Type 类型..... 4-stroke cycle, water-cooled, direct injection
 4冲程循环、水冷、直喷
 Aspiration 增压..... Turbocharged 涡轮增压
 Number of cylinders 油缸数量..... 6
 Bore x stroke. 孔*冲程..... 126 mm x 130 mm
 Piston displacement 活塞排量..... 9.7L
 Horsepower 马力
 SAE J1995..... Gross 马力毛值 135kW 160HP
 ISO 9249 / SAE J1349..... Net 马力净值 131kW 160HP
 Rated rpm 额定转速..... 1850rpm
 Fan drive type 风扇驱动器类型.....
Mechanical, belt drive 机械式、皮带传动
 Lubrication system 润滑系统
 Method 方法..... Gear pump, forced lubrication 齿轮泵、强制润滑
 Filter 过滤器..... Full-flow 全流量
 Net maximum torque 最大净扭矩..... 830 N·m /1200 rpm

TORQFLOW TRANSMISSION 扭矩流传输

Gearbox: planetary gear, multi-plate clutch, hydraulic combined with forced lubrication
 变速箱: 行星齿轮, 多片离合器、液压结合强制润滑式。

| Travel speed 行驶速度 | Forward 前进 | Reverse 后退 |
|-------------------|-----------------------|------------------------|
| 1st | 0-3.1km/h 0-2.1 mpa | 0-4.03 km/h 0-2.1 mpa |
| 2nd | 0-5.47 km/h 0-2.1 mpa | 0-7.12 km/h 0-2.1 mpa |
| 3rd | 0-9.07 km/h 0-2.1 mpa | 0-11.81 km/h 0-2.1 mpa |

OPERATING WEIGHT (APPROXIMATE) 操作质量 (近似值)

Tractor weight: 推土机重量
 Including rated capacity of lubricant, coolant, full fuel tank, operator and standard equipment
 包括额定容量的润滑油, 冷却液, 满油箱, 操作人员和标准设备...
17100kg

Operating weight 操作质量
 Including straight tilt dozer, cab, operator, standard equipment, and rated capacity of lubricants, coolant, and full fuel tank
 包括直倾式推土机, 驾驶室, 操作员, 标准设备和额定容量的润滑油, 冷却液和满油箱.....18700kg

TRANSMISSION SYSTEM 传动系统

Torque converter:
 three components, one grade and one phase
Central drive:
 spiral bevel gear, first stage deceleration, splash lubrication
Steering clutch:
 wet, multi-piece, spring-loaded, hydraulically separated
Steering brakes:
 Wet, floating, direct clutch, hydraulic assist brake
Final drive:
 secondary spur gear reduction, splash lubrication

液力变矩器: 三元件、一级一相
 中央传动: 螺旋锥齿轮、一级减速、飞溅润滑
 转向离合器: 湿式、多片、弹簧压紧、液压分离
 转向制动器: 湿式、浮式、直接离合、液压助力制动
 终传动: 二级直齿轮减速、飞溅润滑

Minimum turning radius*: 最小转弯半径*..... 3100mm
 *As measured by track marks on ground. *以地面上的履带标记测量。

UNDERCARRIAGE 底盘

Suspension 悬挂..... Eight-beam swing, balanced beam suspension structure 八字梁摆动式、平衡梁悬挂结构
 Track roller frame 滚筒架..... Monocoque, large section, durable construction 硬壳式, 大截面, 耐用结构
 Track shoes. 履带板.....
 Lubricated track. A unique dust seal prevents external abrasive material from entering the pin bushing gap for extended life. Easy adjustment of track tension with a grease gun.
 润滑的履带。独特的防尘密封件可防止外部磨蚀性物质进入销轴衬套间隙, 从而延长使用寿命。使用黄油枪可以轻松调整履带张力。
 Number of carrier rollers (each side) (每边) 托运轮数量..... 2
 Number of track rollers (each side) (每边) 支重轮数量..... 6
 Number of shoes (each side) (每边) 履带板的数量..... 37
 Grouser height 履带高度..... 60mm
 Shoe width 履带板宽度..... 510 mm
 Track gauge 轨距..... 1880 mm
 Length of track on ground 地面履带轨长度..... 2430mm
 Ground contact area 接地面积..... 24786 cm²
 Ground pressure. 接地比压..... 0.065mPa

COOLANT AND LUBRICANT CAPACITY (REFILL) 冷却剂和润滑剂容量 (重新填充)

Fuel tank 燃油箱..... 320L
 Coolant 冷却液..... 41L
 Engine oil 机油..... 30L
 Transmission, bevel gear, and steering Transmission system 变速器、锥齿轮和转向传动系统..... 122 L
 Final drive (each side) 终传动 (每边)..... 31L

HYDRAULIC SYSTEM 液压系统

Pump type 泵的类型..... CBJ70-E112 gear pump
 CBJ70-E112 齿轮泵
 Capacity (discharge rate at rated engine speed) 容量 (额定发动机转速下的排放流量)..... 250L/min
 Hydrocylinder 液压油缸..... Double-acting, piston 双作用、活塞
 Maxi working oil pressure 最高工作油压..... 13.7Mpa

| | Number of cylinders 油缸数量 | Bore 孔径 |
|------------------|--------------------------|---------|
| Blade lift 推土铲起升 | 2 | 110 mm |
| Blade tilt 推土铲倾斜 | 1 | 140 mm |

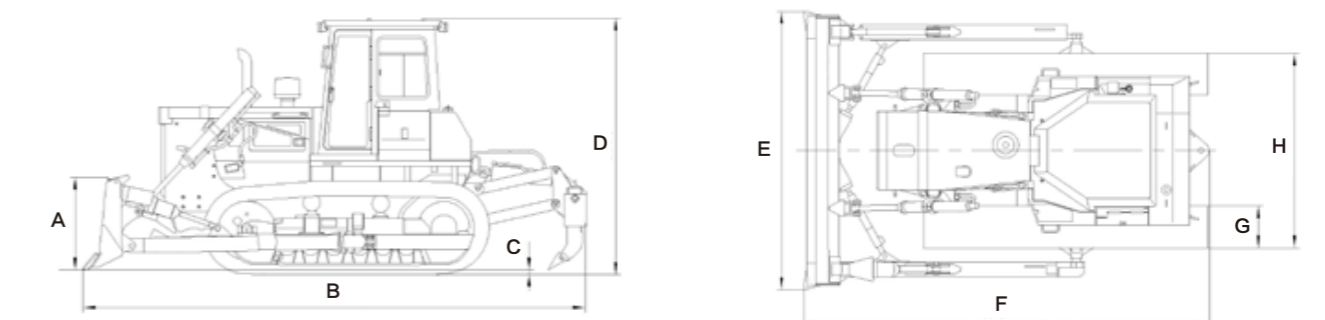
DOZER EQUIPMENT 推土机设备

Use of high tensile strength steel in moldboard for strengthened blade construction.
 在推板上使用高强度钢材以加固推土铲结构

| | Overall length with dozer 推土机总长度 | Blade capacity* 推土铲容量 | Blade length x height 推土铲长*高 | Maximum lift above ground 离地最大举升高度 | Maximum drop below ground 离地最大举升高度 | Maximum tilt adjustment 最大倾斜调整 | Angling angle 斜向角度 | Additional weight 附加重量 |
|---------------------------|----------------------------------|-----------------------|------------------------------|------------------------------------|------------------------------------|--------------------------------|--------------------|------------------------|
| Straight Tilt Dozer 直倾推土机 | 6215mm | 3.9m ³ | 3416mm*1168mm | 1095mm | 545mm | 860mm | - | 1620kg |

Remarks: * Blade capacities are based on the SAE recommendation practice J1265.
 备注: *推板容量基于SAE推荐惯例J1265。

DIMENSIONS 尺寸



Ground clearance 离地高度..... 400mm

| | | | |
|---|---------|---|---------|
| A | 1149 mm | E | 3388 mm |
| B | 6215 mm | F | 5036 mm |
| C | 60 mm | G | 510 mm |
| D | 3150 mm | H | 2390 mm |

Control valve 控制阀
 Double spool control valve for mechanical angle power tilt bulldozers.
 用于机械角度动力倾斜推土机的双联阀柱式控制阀。
 Positions: 位置:
 -Blade lift 推土铲升降.....
 Raise, hold, lower, and float 起升、保持、降低和漂浮
 -Blade tilt 铲刀倾斜.....
 Right, hold, and left 向右、保持、向左
 Additional control valve for triple-shank ripper
 用于三齿松土器的附加控制阀
 Positions: 位置
 -Ripper lift 松土器升降.....
 Raise, hold, and lower 起升、保持和落下

Hydraulic oil capacity (refilling): Straight tilt dozer
 液压油容量 (加注): 直推式推土机..... 90L

